

Model Number

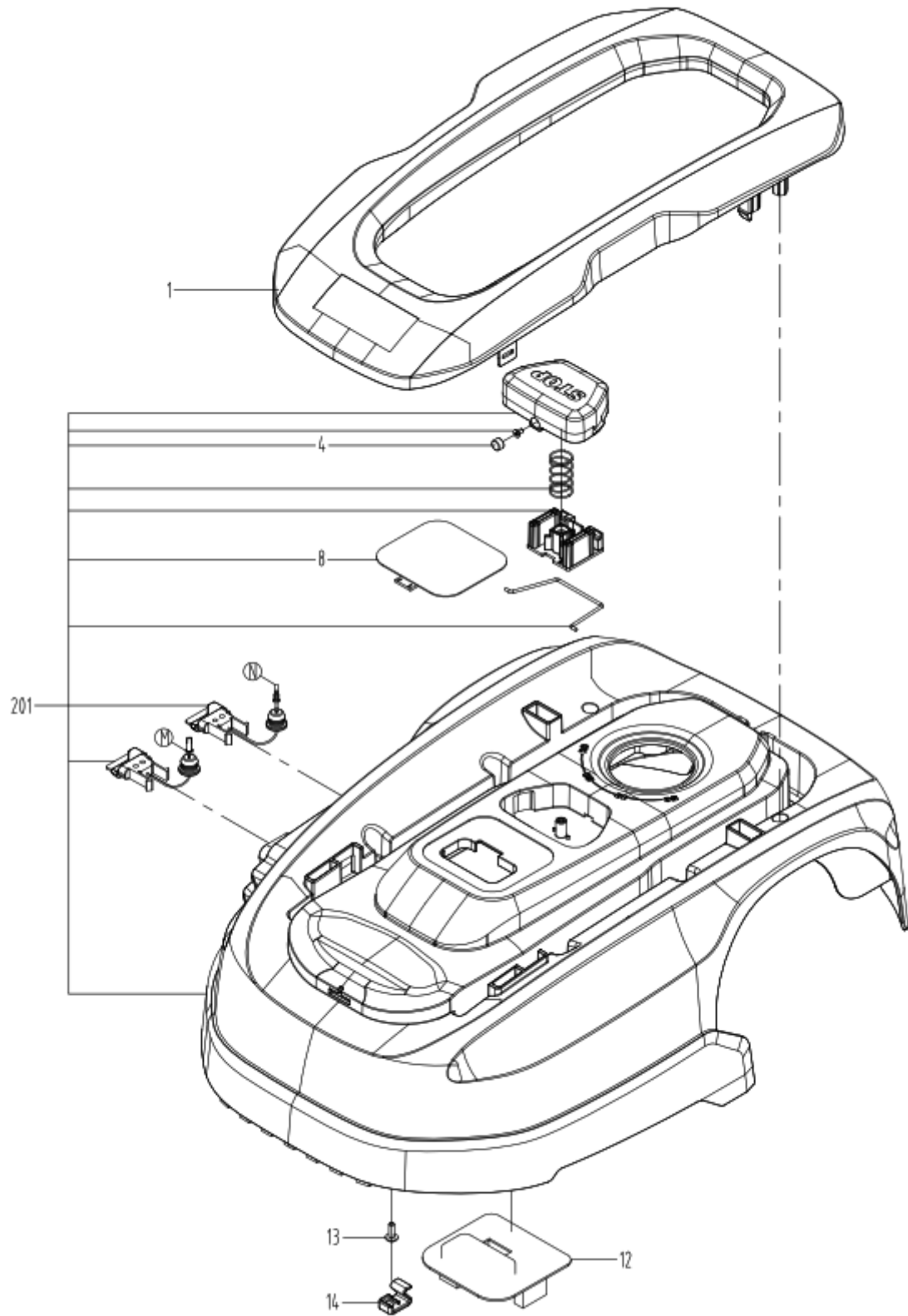
Mac Allister MRM250



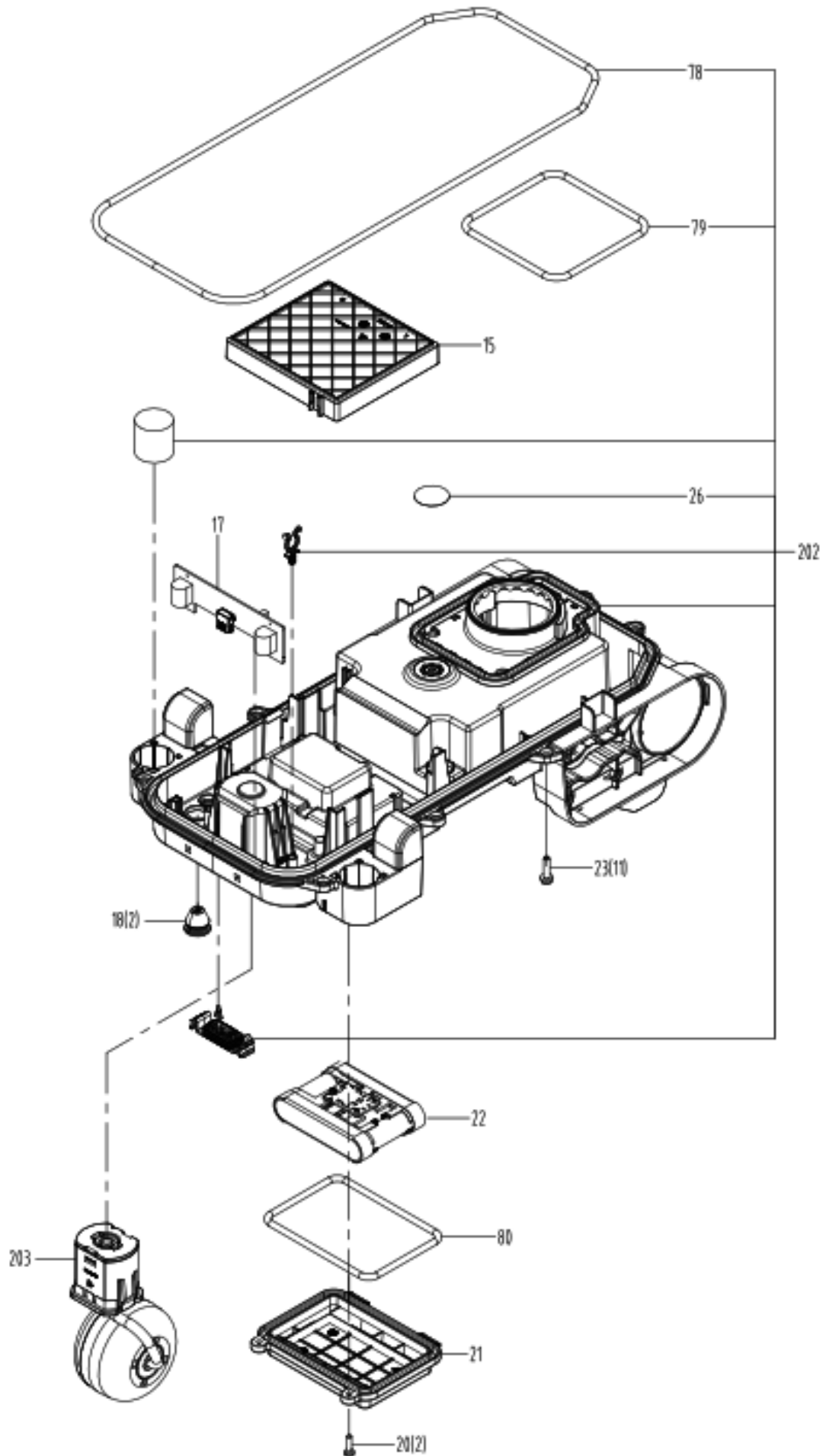
250m² Robotic Lawnmower

Parts Manual

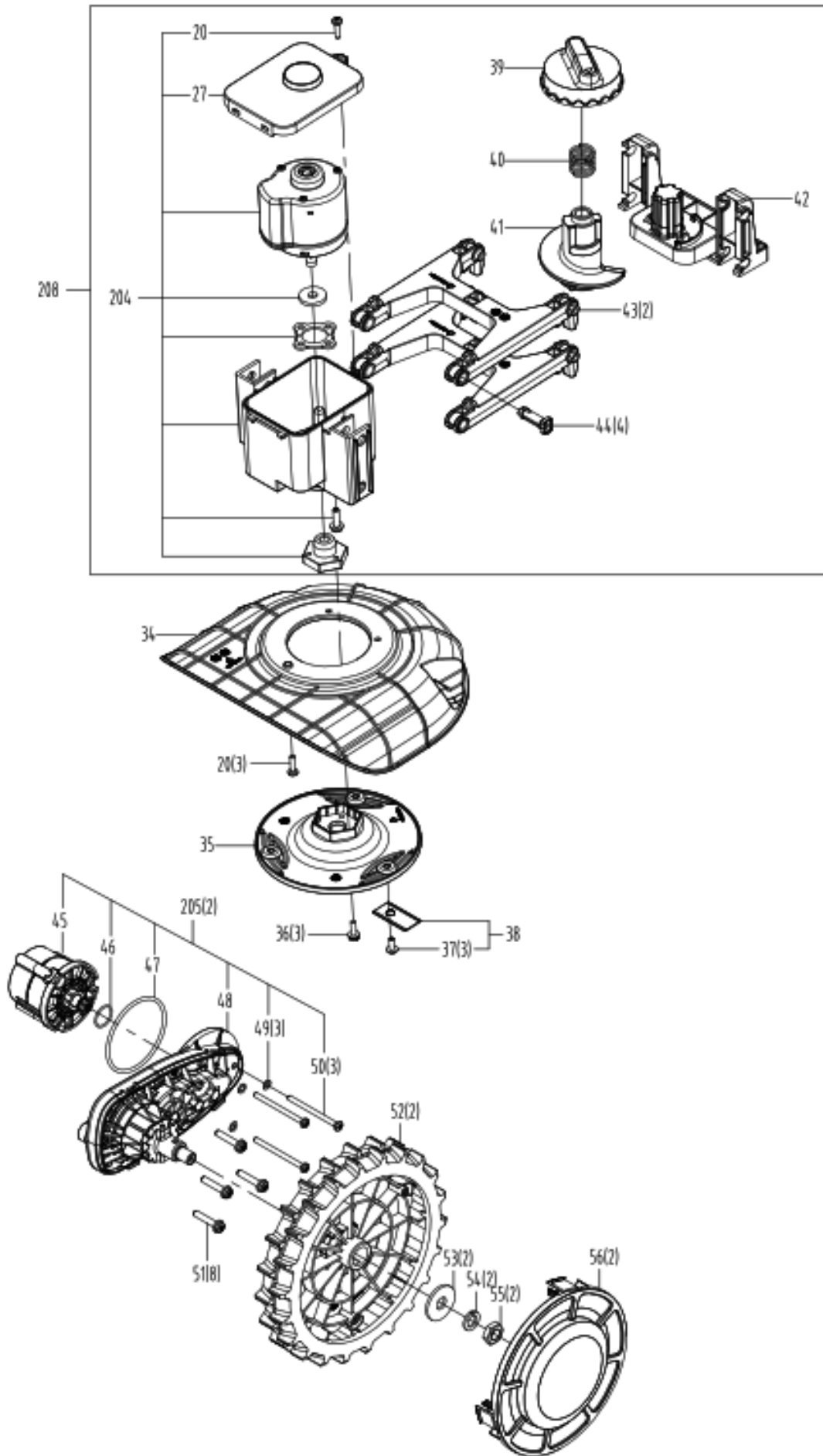
Exploded Diagram



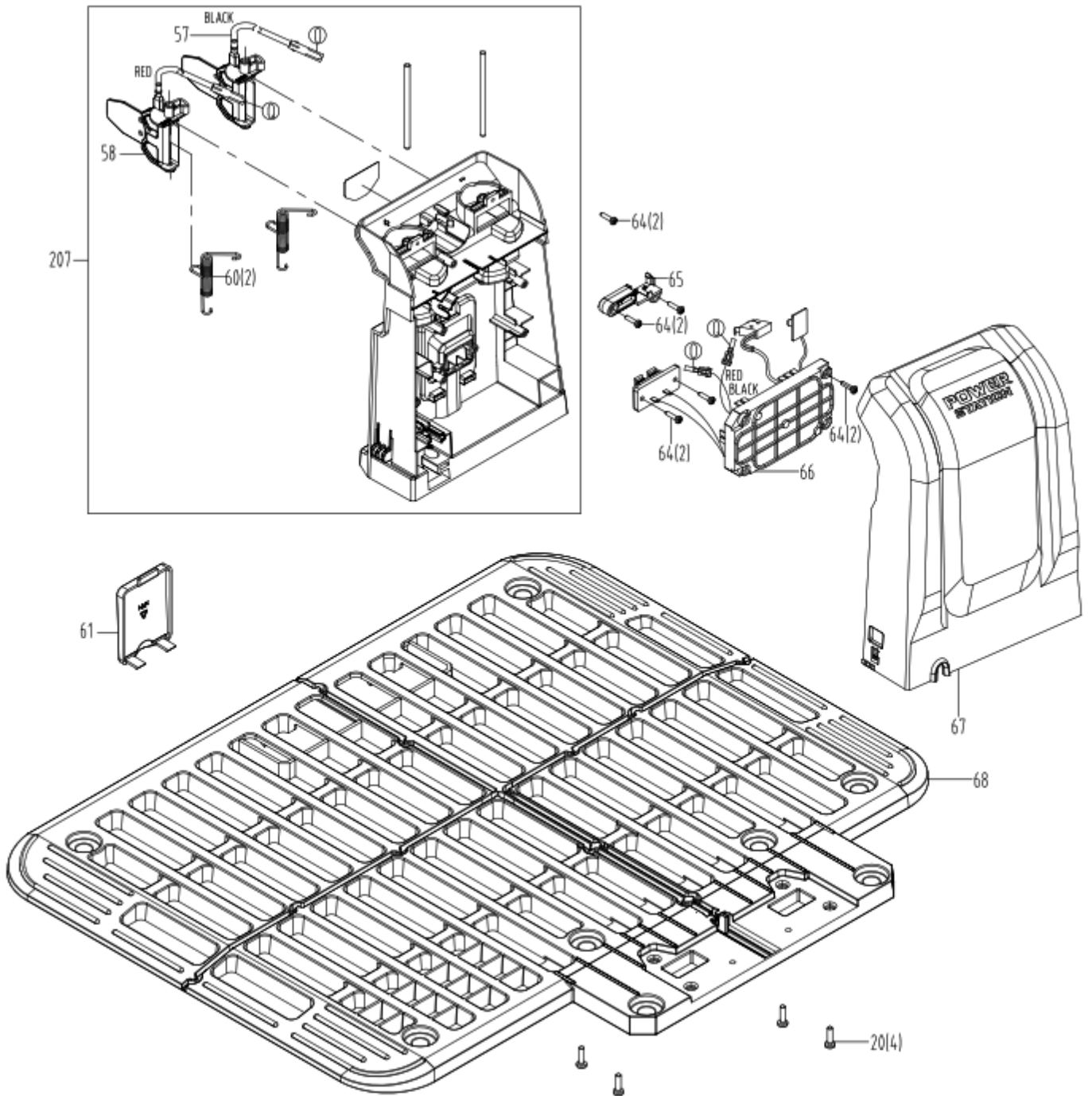
Exploded Diagram



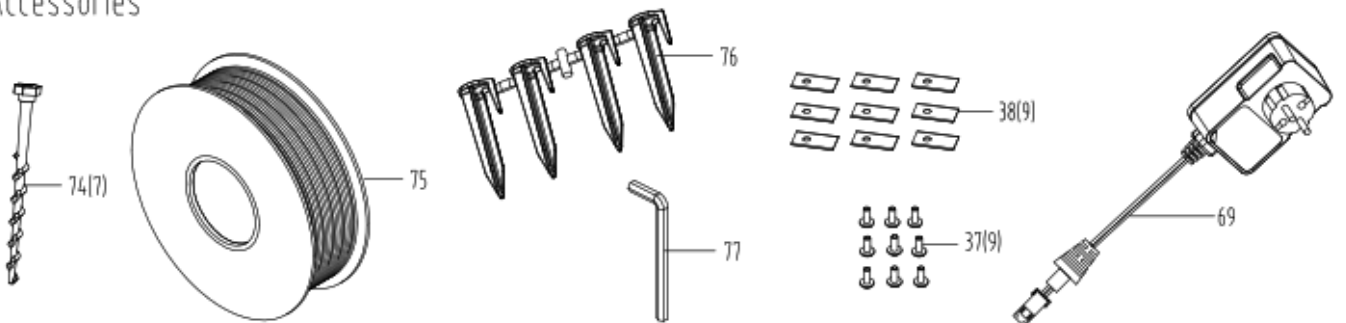
Exploded Diagram



Exploded Diagram



Accessories



Parts List

Part ID	Apelson PN	MPN	Part Description	Qty
1	70064168	70064168	DECORATIVE COVER	1
4	70063908	70063908	MAGNET	1
8	70064173	70064173	FUEL TANK FILM	1
12	70064172	70064172	DISPLAY CIRCUIT BOARD	1
13	70063793	70063793	SELF TAPPING SCREW ST3.9*13	1
14	70063800	70063800	PRESS PLATE	1
15	70063765	70063765	MAIN BOARD WITHOUT WIFI	1
17	70064176	70064176	SENSOR BOARD	1
18	70064170	70064170	SEAL SHEATH	2
20	70063746	70063746	SCREW ST3.9*16	10
21	70064180	70064180	BATTERY COVER	1
23	70063805	70063805	SELF TAPPING SCREW ST4.8*20	13
26	70064294	70064294	FUEL TANK FILM	1
27	70064202	70064202	MOTOR COVER	1
34	70064161	70064161	GUARD	1
35	70064207	70064207	ADAPTER RING	1
36	70064154	70064154	SCREW WASHER ASSEMBLY M4*14	3
37	70063915	70063915	SCREW	12
38	70063930	70063930	CUTTING BLADES(3PCS) AND SCREWS(3PCS)	1
39	70064200	70064200	DEPTH ADJUSTMENT KNOB	1
40	70064208	70064208	COMPRESSION SPRING	1
41	70064209	70064209	ADJUSTMENT SCREW	1
42	70064210	70064210	SUPPORT BASE	1
43	70064211	70064211	LINK1	2
44	70064212	70064212	SPRING PIN	4
45	70063928	70063928	DRIVE MOTOR ASSEMBLY	2
46	70063912	70063912	O RING	2
47	70064169	70064169	AIRPROOF RING	2
48	70063927	70063927	GEARBOX ASSEMBLY	2
49	70063911	70063911	WASHER	6
50	70063910	70063910	SELF TAPPING SCREW ST3.9*55	6
51	70063753	70063753	SELF TAPPING SCREW ST4.8*25	8
52	70064156	70064156	REAR WHEEL	2
53	70063786	70063786	WASHER 10	2
54	70063804	70063804	SPRING WASHER	2
55	70064175	70064175	HEXAGON THIN NUT M10*35	2
56	70064159	70064159	ROLLER COVER	2
57	70063916	70063916	TERMINAL WITH BLACK WIRE	1
58	70063917	70063917	TERMINAL WITH RED WIRE	1
60	70063918	70063918	TORSIONAL SPRING	2
61	70063919	70063919	CLIP PLATE	1
64	70063920	70063920	SCREW	8
65	70063921	70063921	SWITCH BOX	1
66	70064213	70064213	POWER BOARD	1
67	70063903	70063903	CHARGING STATION COVER	1
68	70063769	70063769	BASE PLATE	1

70	70064163	70064163	TRANSFER PLATE WIRING HARNESS	1
71	70064177	70064177	POWER HARNESS	1
72	70064155	70064155	CUTTING MOTOR CONNECTING HARNESS	1
73	70064162	70064162	BOUNDARY SENSOR HARNESS	1
74	70063924	70063924	SCREW	7
75	70064157	70064157	SPOOL & LINE (100M)	1
76	70064160	70064160	CABLE CLIPS (HOOK 130)	1
77	70063925	70063925	SPANNER	1
78	70064295	70064295	AIRPROOF RING	1
79	70064296	70064296	SEALING STRIP	1
80	70064179	70064179	AIRPROOF RING	1
201	70064216	70064216	TOP COVER SET	1
202	70064165	70064165	BASE SET	1
203	70064167	70064167	FRONT WHEEL SET	1
204	70064214	70064214	CUTTING MOTOR SET	1
205	70064215	70064215	DRIVE MOTOR SET	2
206	70064217	70064217	CHARGING STATION SET	1
207	70063904	70063904	BASE HOLDER	1
208	70064171	70064171	CUTTING MOVEMENT ASSEMBLY	1